

# APF 1850

## FORWARD MOVING VIBRATORY PLATE

### ONE PLATE FOR EVERY APPLICATION

The APF 1850 is the “all-rounder” among the forward moving vibratory plates from Ammann. Its size combined with a powerful Honda or Hatz engine produces outstanding compaction results on any substrate, be it gravel, asphalt or any other surface. An optionally available Vulkollan mat and water sprinkler system for asphalt work extend the range of applications for the APF 1850 further still.

The continuously adjustable vibration supports compaction on different substrates. The machine’s dimensions and simple handling make the compactor extremely agile and easy to use regardless of the task at hand.

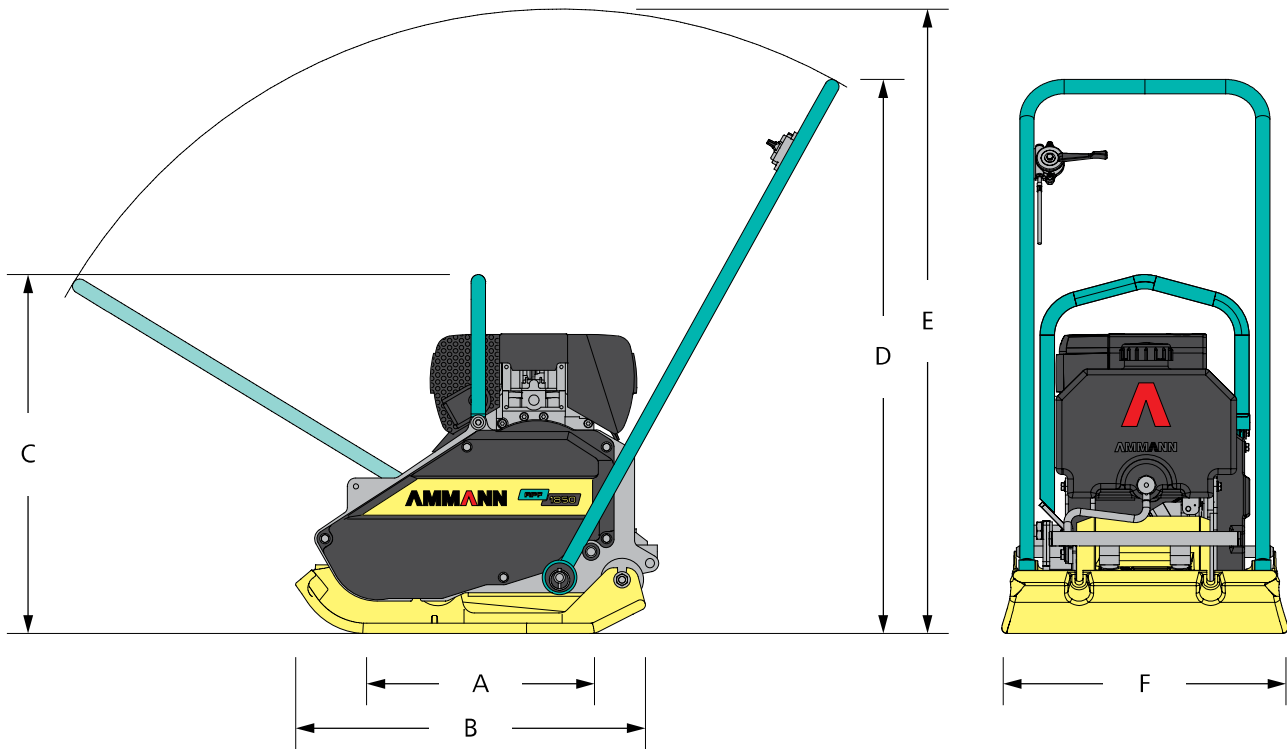
The machine has a central lifting point for easy transport. Additionally, the guide handle can be folded over the machine to save space during transport.



### HIGHLIGHTS

- Operator-friendly compactor with a low-vibration guide handle
- Well-protected, robust centrifugal clutch with wear-resistant V belt
- Maintenance-friendly exciter with a long life-span
- Robust protective frame with central single-point suspension
- Powerful petrol or diesel engine
- Wear-resistant, self-cleaning base plate
- Options include a guide handle with especially low HAV values, permanently installed transport wheels, a water sprinkler system for working on bituminous surfaces and a Vulkollan plate for working on paving blocks





## DIMENSIONS & WEIGHT

	APF 1033	APF 1240 Petrol	APF 1240 Diesel	APF 1250	APF 1850 Petrol	APF 1850 Diesel
MACHINE WEIGHT	54 kg	69 kg	85 kg	72 kg	95 kg	110 kg
A BASE PLATE LENGTH	341 mm	371 mm	371 mm	353 mm	398 mm	398 mm
B MACHINE LENGTH	540 mm	540 mm	540 mm	523 mm	615 mm	615 mm
C MACHINE HEIGHT	512 mm	514 mm	587 mm	514 mm	623 mm	623 mm
D GUIDE HANDLE HEIGHT (WORK)	920 mm	1000 mm	1000 mm	1000 mm	1000 mm	1000 mm
D MAX. GUIDE HANDLE HEIGHT	1100 mm	1100 mm	1100 mm	1100 mm	1100 mm	1100 mm
F MACHINE WIDTH	330 mm	400 mm	400 mm	500 mm	500 mm	500 mm

## ENGINE

	Honda GX 120	Honda GX 120 Subaru EX 13	Yanmar L48AE	Honda GX 120 Subaru EX 13	Honda GX 160	Hatz 1B20
FUEL	Petrol	Petrol	Diesel	Petrol	Petrol	Diesel
OUTPUT	2.9 HP	4 HP	4.3 HP	4 HP	5 HP	4.2 HP
RPM	3600	3600	3200	3600	3200	3000

## COMPACTION OUTPUT

MAX. VIBRATION FREQUENCY	100 Hz	98 Hz	98 Hz	98 Hz	85 Hz	85 Hz
MAX. CENTRIFUGAL FORCE	10.5 kN	12 kN	12 kN	12 kN	18 kN	18 kN
MAX. WORKING SURFACE	0.11 m <sup>2</sup>	0.14 m <sup>2</sup>	0.14 m <sup>2</sup>	0.18 m <sup>2</sup>	0.2 m <sup>2</sup>	0.2 m <sup>2</sup>
MAX. COMPACTION DEPTH *	10 cm	15 cm	18 cm	13 cm	20 cm	25 cm

## MISCELLANEOUS

WORKING SPEED	22 m/min	20 m/min	20 m/min	20 m/min	20 m/min	20 m/min
MAX. GRADEABILITY	30%	30%	30%	30%	30%	30%
MAX. INCLINE	20°	20°	20°	20°	20°	20°

\* depending on ground conditions